

Isuzu D-Max

TAILGATE STRUT KIT
Installation Instructions




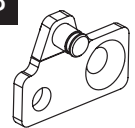
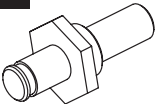
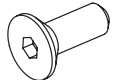
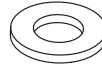

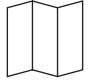
Model year: 2011-2016, 2016-

Part No.: 2AB.ST.9101.1

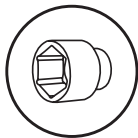
Compatibility: all types

Weight: 1 kg

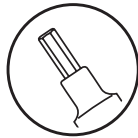
Installation time: 30 min

A  x1	B  x1	C  x1	D  M8x20 x1	E  x2
F  x2	 Installation Instructions			

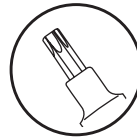
Required Tools



17 mm



HEX 5



TORX 40

